

3-phase

Purpose

The 3-phase (3 in 1) current transformer is used for indirect measurements of 3-phase currents. Its design allows it to be mounted directly on the outputs of the cut-off switches (ABB Isomax series, Merlin Gerlin NS series and similar) saving assembly time and space in the switchgear.

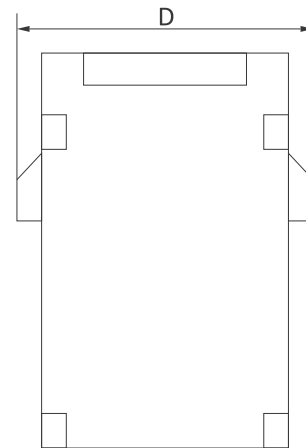
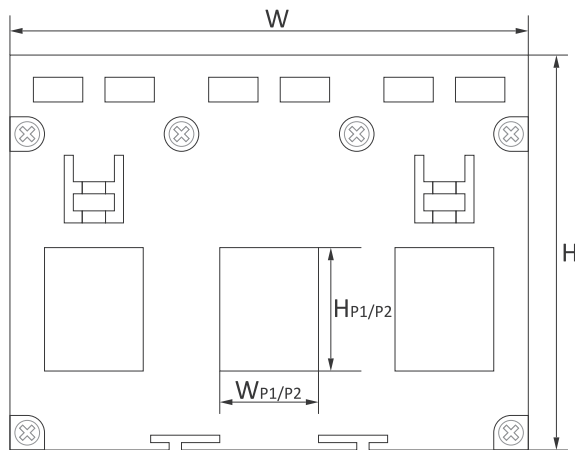
TP-100 / TP-150 / TP-200 / TP-400 / TP-600

3-phase closed-core transformers



norm No.	IEC 60044 -1
nominal secondary current Is	5 A
rated voltage	720 V AC
insulation breakdown voltage	3 kV/1 min.
frequency	50/60 Hz
security factor	FS<5
thermal short-circuit current (Ith)	60×In
dynamic short-circuit-current (Idyn)	2.55×Ith
working temperature	-5÷40°C
Terminal S1/S2	4 mm ² screw terminals
installation	DIN rail/board/cable
orientation	vertical/horizontal
protection level	IP20

Type	Transformer Ip/Is	Class	Power [VA]	Dimensions of the P1/P2 hole W×H [mm]	Dimensions W×H×D [mm]	Weight [kg]
TP-100	100/5	1	1.5	15×21	105×80×51	0.452
TP-150	150/5	1	2.5	15×21	105×80×51	0.452
TP-200	200/5	1	2.5	15×21	105×80×51	0.452
TP-400	400/5	1	3.75	31×31	142×96×51	0.570
TP-600	600/5	1	3.75	31×31	142×96×51	0.570



Section XIII

Indexes

Chapter 46	
Products index	282
Chapter 47	
Types and dimensions of enclosures.....	285

A

AC-11	262
AKS-08	254
AS-212	15
AS-214	15
AS-221T	16
AS-222T	16
AS-223	15
AS-224	15
AS-225	17
AS-B	15
ASO-110	14
ASO-201	14
ASO-202	15
ASO-203	15
ASO-204	14
ASO-205	14
ASO-220	14
ASO-24	14
ASO-42	14
ASP	240
AT-1I-DS	257
AT-1I-KT	257
AT-1I-PT	258
AT-1I	258
AT-1U-DS	257
AT-1U-KT	257
AT-1U-PT	258
AT-1U	258
AT-2I	259
AT-2U	259
AT-3I	259
AV-1I	262
AWZ-30	10
AWZ	10
AZ-112	11
AZ-B	10
AZH-106	9
AZH-C	9
AZH-LED	8
AZH-S	10
AZH	9

B

BIS-402	27
BIS-403	29
BIS-404	31
BIS-408	27
BIS-409	32
BIS-410	29
BIS-411	28
BIS-412	30
BIS-412P	30
BIS-413	29
BIS-414	31
BIS-416	28
BIS-419	32
BZ-1	173
BZ-2	173
BZ-3	173
BZ-4	174

C

CKF-316	147
CKF-317	148
CKF-318	149
CKF-319	149
CKF-337	149
CKF-B	147
CKF-BR	148
CKF-BT	148
CKF	147
CKF2-BT	150
CLG-03	234
CLG-04	234
CLG-13T	233
CLG-14T	233
CLG-15T	233
CLI-01	231
CLI-02	232
CLI-11T	231
CP-500	153
CP-709	151
CP-710	152
CP-721	152
CP-730	152
CP-733	153
CP-734	153
CR-810	248
CRT-04	244
CRT-05	245
CRT-06	245
CRT-15T	247
CZF-310	141
CZF-311	142
CZF-312	142
CZF-331	143
CZF-332	144
CZF-333	143
CZF-334	143
CZF-B	141
CZF-BR	142
CZF-BS	141
CZF-BT	142
CZF	141
CZF2-B	145
CZF2-BR	145
CZF2	145

D

DMA-1	185
DMA-1T	186
DMA-1 True RMS	185
DMA-3	185
DMA-3T	186
DMA-3 True RMS	185
DMM-1T	186
DMM-4T	187
DMM-5T	187
DMV-1	183
DMV-1AC-MBT	184
DMV-1DC-MBT	184
DMV-1T	183
DMV-1 True RMS	183
DMV-3	183
DMV-3T	183

DMV-3 True RMS	183
DR-03	37
DR-04	37
DR-05	38
DR-06	38
DR-07	38
DR-08	39
DR-09	39
DRL-12	41
DRM-01	40
DRM-02	40
DRM-04	42
DRM-05	42
DRM-06	42
DRM-07	40
DRM-08	41
DSW-1	99
Disk SSD275	224

E

ECH-06	256
EPM-621	171
EPP-618	169
EPP-619	169
EPP-620	170
EPS-D	172
EZ	98

F

F&Home	54
F&Home Radio	57
FA-1F	198
FA-1LX	190
FA-3HX	190
FA-3X	194
FLC-USB (programator)	131
FLC12-8DI-4R	130
FLC18-12DI-6R	129
FLC18-ETH-12DI-6R	128
FLC18E-2AQ-VI	133
FLC18E-3PT100	133
FLC18E-4AI-I	133
FLC18E-8DI-8R	132
FLC18E-8DI-8TN	132
FLC18E-RS485	134
FW-BYPASS-NN	67
FW-D1D	69
FW-D1P	69
FW-GS	70
FW-KEY4	72
FW-LED2D	70
FW-LED2P	69
FW-R1D-P	65
FW-R1D	65
FW-R1P-NN	67
FW-R1P-P	65
FW-R1P	65
FW-R2D-P	66
FW-R2D	66
FW-R2P-NN	67
FW-R2P-P	66
FW-R2P	66

FW-RC10.....	72	LK-714.....	189	PCA-514.....	105
FW-RC4-A.....	71	LK-BZ-3.....	188	PCG-417.....	116
FW-RC4.....	71	LT-04.....	253	PCR-513-16.....	105
FW-RC5.....	72			PCR-513.....	105
FW-STR1D-P.....	68	M		PCR-515.....	105
FW-STR1D.....	68	MAX-CN-ETH-485.....	227	PCS-506.....	109
FW-STR1P-P.....	68	MAX-CN-USB-485.....	227	PCS-516.....	110
FW-STR1P.....	68	MAX H04.....	135	PCS-516 AC.....	110
FW-WS1.....	73	MB-1I-1.....	265	PCS-516 DC.....	110
FW-WS2.....	73	MB-1U-1.....	265	PCS-517.....	112
FW-WS3.....	73	MB-3I-1.....	265	PCS-519.....	110
FW-WSO1.....	73	MB-3U-1.....	265	PCS-533.....	113
FW-WSO2.....	73	MB-AHT-1.....	270	PCS-534.....	117
		MB-DS-10.....	267	PCS533 Configurator.....	113
G		MB-DS-2.....	267	PCU-504-VI.....	107
GS2-AC-R.....	24	MB-DS-30.....	267	PCU-507.....	108
GS2-STR3.....	24	MB-GPS-1.....	270	PCU-510 DUO.....	106
GS2-STR3.....	50	MB-LG-4 Hi.....	269	PCU-511.....	106
GS4-AC-T.....	24	MB-LG-4 Lo.....	269	PCU-518.....	107
GS4-DC.....	23	MB-LI-4 Hi.....	232	PCU-520.....	108
		MB-LI-4 Hi.....	269	PCU-530.....	106
H		MB-LI-4 Lo.....	232	PCZ-521.3.....	119
H04 Config.....	137	MB-LI-4 Lo.....	269	PCZ-521.3 PLUS.....	118
		MB-LS-1.....	270	PCZ-522.3.....	119
K		MB-PT-100.....	268	PCZ-523.2.....	119
KB-.....	98	MB-TC-1.....	268	PCZ-524.3.....	121
KK-01.....	95	MeternetPRO.....	223	PCZ-525.3.....	122
KK-01FP.....	95	MK-03.....	92	PCZ-525.3 PLUS.....	122
KK-02.....	95	MK-04.....	92	PCZ-526.3.....	123
KK-03.....	95	MK-06B.....	91	PCZ-529.3.....	120
KK-04.....	96	MK-06WF.....	91	PCZ-531A10.....	44
KK-05.....	96	MK-08B.....	90	PCZ-531LED.....	44
KK-05K.....	96	MK-08F.....	91	Pendrive64.....	224
KK-08.....	96	MK-10EX.....	89	PF-431.....	154
KK-08K.....	97	MK-10EXH.....	89	PF-441.....	154
KK-09.....	97	MK-10FSD.....	90	PF-451.....	155
KK-20DA.....	94	MK-10K.....	90	PF-452.....	155
KK-21DAH.....	94	MK-11.....	89	PK-1P.....	276
KK-50A.....	94	MK-12.....	89	PK-2P.....	276
KS-01.....	97	MPG-03.....	252	PK-3P.....	276
		MR-AI-1.....	273	PK-4PR.....	276
L		MR-AO-1.....	273	PK-4PZ.....	276
LE-01.....	207	MR-DI-4 Hi.....	271	PO-405.....	114
LE-01d.....	207	MR-DI-4 Lo.....	271	PO-406.....	114
LE-01M.....	212	MR-DIO-1.....	271	PO-415.....	114
LE-01MB.....	220	MR-LED-T.....	274	PP-1P.....	276
LE-01MQ.....	218	MR-RO-1.....	272	PP-1Zi.....	276
LE-01MR.....	214	MR-RO-4.....	272	PP-2P.....	276
LE-01MW.....	215	MST-01.....	43	PP-2Zi.....	276
LE-02d.....	208	MST-02.....	43	PR-602.....	166
LE-02d CT.....	210	MT-CPU-1.....	224	PR-603.....	167
LE-03.....	208	MU-01.....	92	PR-612.....	166
LE-03d.....	209	MU-02.....	92	PR-613.....	167
LE-03d CT200.....	210			PR-614.....	168
LE-03d CT400.....	210	O		PR-615.....	167
LE-03M.....	213	OM-1.....	162	PLUS probe.....	11
LE-03MB.....	220	OM-2.....	162	PZ2 probe.....	239
LE-03MB CT.....	221	OM-611.....	163	PZ2 probe.....	39
LE-03M CT.....	213	OM-616.....	164	Ø10 probe.....	11
LE-03MP.....	214	OM-630.....	164	Proxi Bulb.....	78
LE-03MQ.....	218	OM-631.....	163	Proxi Gate.....	78
LE-03MQ CT.....	219	OM-632.....	163	Proxi Light.....	77
LE-03MW.....	216	OM-633.....	165	Proxi Plug.....	77
LE-03MW CT.....	217	OMS-635.....	165	Proxi Power.....	77
LE-04d.....	211	OP-230.....	255	Proxi Shade.....	78
LE-05d.....	211			PSI-02.....	251
LED staircase lights.....	18	P		PSI-02D.....	251
LED-AMP-1D.....	45	PA-01I.....	263	PSI-02P.....	251
LED-AMP-1P.....	45	PA-01U.....	263	PZ-828.....	235
LK-712.....	189	PA-02-MBT.....	264	PZ-828 RC.....	235
LK-713.....	189	PCA-512.....	105	PZ-829.....	236
				PZ-829 RC.....	236

PZ-831 RC.....	238
PZ-832 RC.....	237

R

RM-07.....	252
RS-407B.....	74
RS-407M.....	74
RS-N.....	75
RS-P.....	75
RT-820.....	242
RT-821.....	242
RT-822.....	242
RT-823.....	242
RT-824.....	243
RT-825.....	243
RT-826.....	242
RT-833.....	247

S

SCO-801.....	33
SCO-802.....	34
SCO-803.....	35
SCO-811.....	33
SCO-812.....	34
SCO-813.....	33
SCO-814.....	34
SCO-815.....	35
SCO-816.....	36
SEP-01.....	250
SEP-02.....	250
SEP-03 USB.....	250
SF.....	202
SIMply MAX P01.....	79
SIMply MAX P02.....	81
SIMply MAX P03.....	82
SIMply MAX P04.....	80
SIMply MAX P05.....	83
SLA-KK-04-SKM.....	100
SLA-KK-04-SKP.....	101
SLA-KK-05-SKM.....	101
SLA-KK-05-SKP.....	101
SLC-1201A-SKM.....	102
SLC-1201A-SKP.....	102
SLC-1401D-SKM.....	102
Smart Home for developers.....	61
ST100-.....	275
ST25-.....	275
ST40-.....	275
ST63-.....	275
STP-541.....	115
STR-1.....	52
STR-21.....	52
STR-22.....	53
STR-2.....	53
STR-3D.....	49
STR-3P.....	49
STR-421.....	52
STR-422.....	53
STR-4D.....	49
STR-4P.....	49
STR-R.....	50
STR-S.....	51
STR-W.....	50
SZR-277.....	156
SZR-278.....	157
SZR-279.....	158
SZR-280/12.....	159
SZR-280.....	159

T

TI.....	277
TO-.....	278
TP.....	279
TR-08.....	180
TR-12.....	180
TR-24.....	180

W

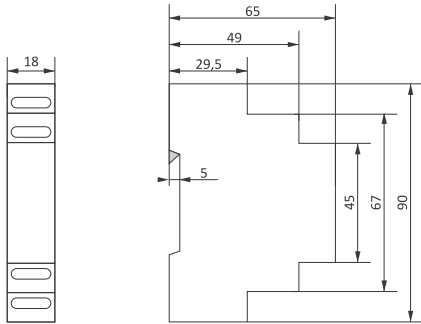
WB-1.....	256
WN-711.....	188
WN-723.....	188

Z

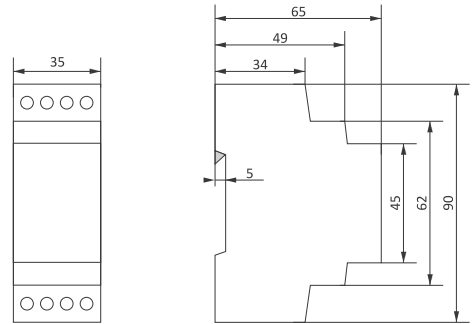
ZI-10-12P.....	180
ZI-100-12.....	178
ZI-100-24.....	178
ZI-11.....	180
ZI-1.....	177
ZI-120-12.....	179
ZI-120-24.....	179
ZI-12.....	180
ZI-13.....	180
ZI-14.....	180
ZI-15.....	177
ZI-16.....	177
ZI-17.....	177
ZI-20-12P.....	180
ZI-20.....	177
ZI-21.....	177
ZI-2.....	177
ZI-22.....	177
ZI-240-12.....	179
ZI-240-24.....	179
ZI-24.....	177
ZI-3.....	177
ZI-4.....	177
ZI-5.....	177
ZI-60-24.....	179
ZI-61-12.....	178
ZI-61-24.....	178
ZI-6.....	177
ZI-75-12.....	179
ZS-1.....	177
ZS-2.....	177
ZS-3.....	177
ZS-4.....	177
ZS-5.....	177
ZS-6.....	177

Types and dimensions of enclosures

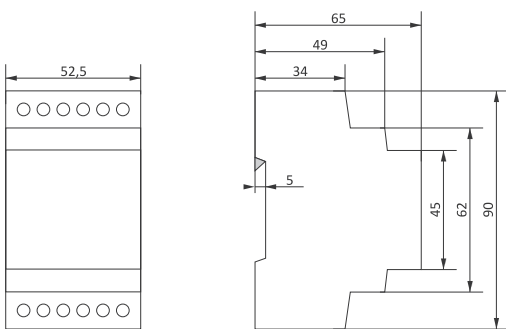
Dimensions in millimeters.
Tolerance ± 0.5 mm.



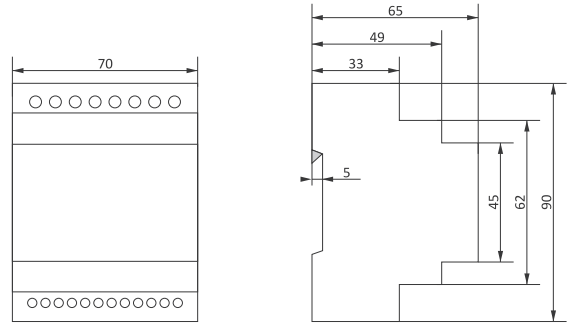
1S module



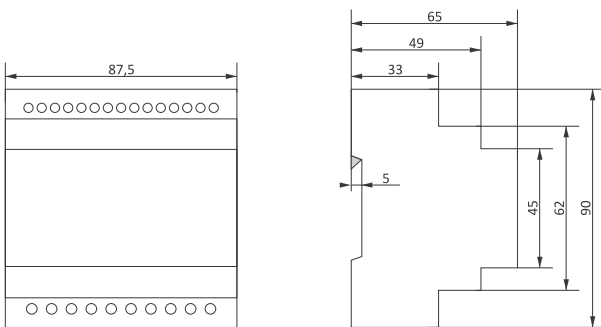
2S module



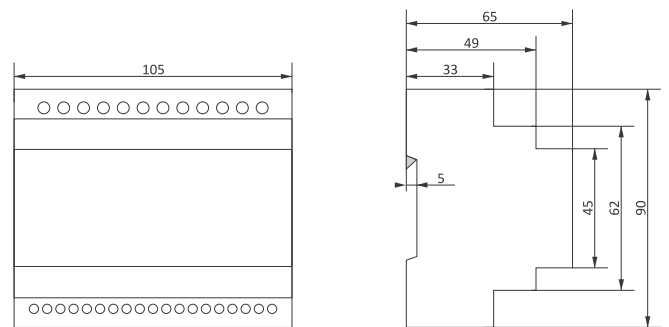
3S module



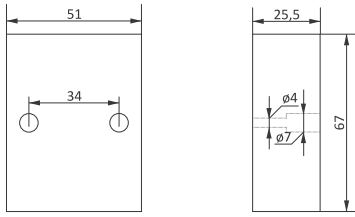
4S module



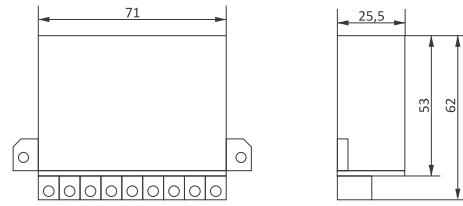
5S module



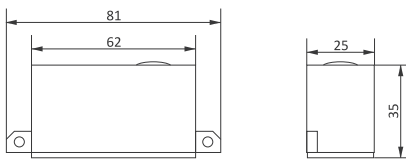
6S module



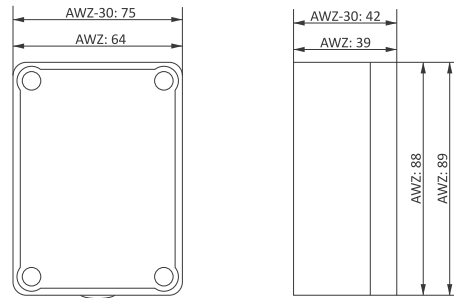
surface-mounted for: ASO, AZH, CKF, CZF, STR



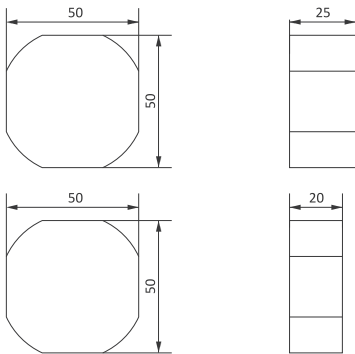
surface-mounted for: CZF2



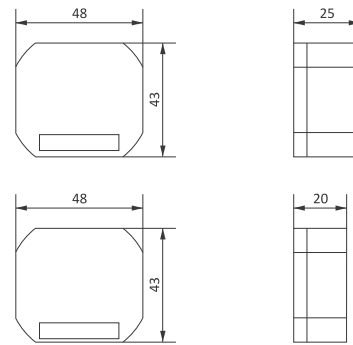
surface-mounted for: AZH-C



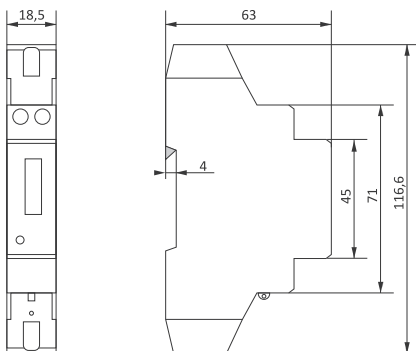
surface-mounted for: AWZ, AWZ-30



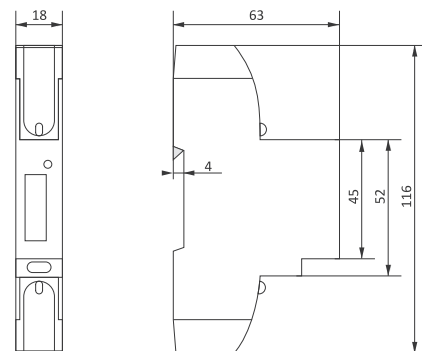
flush-mounted PDT



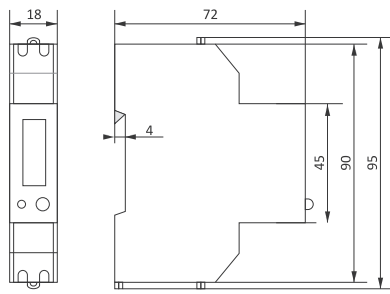
flush-mounted PDTN



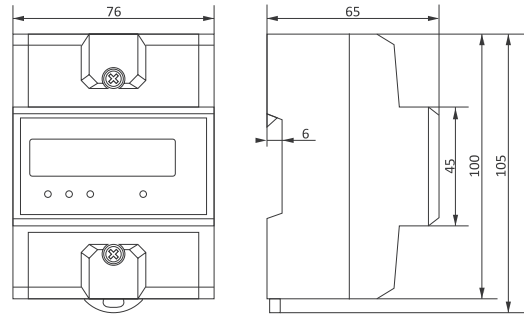
LE-01



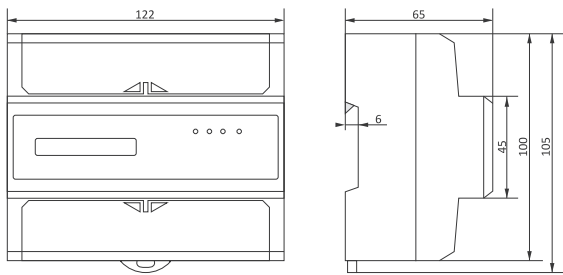
LE-01d



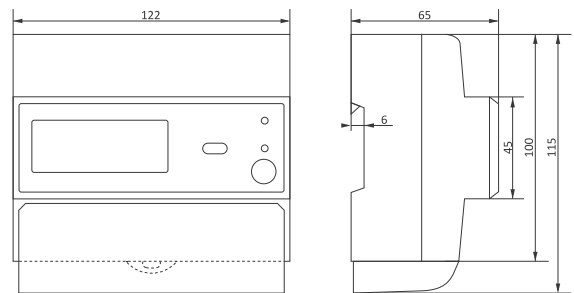
LE-01MR



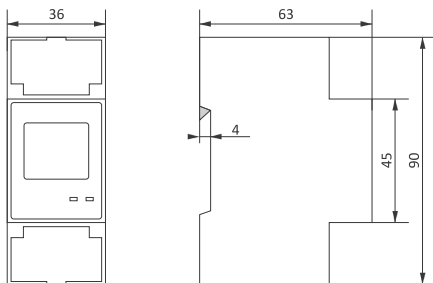
LE-02d/LE-02d CT



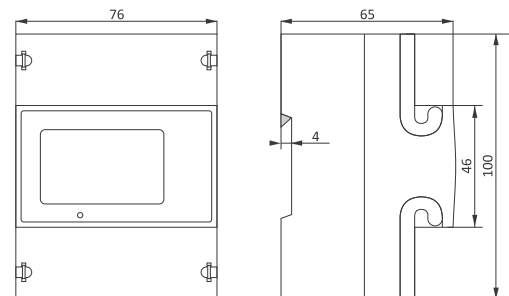
LE-03/LE-03d/LE-03d CT200/
LE-03d CT400/LE-03M/LE-03M CT



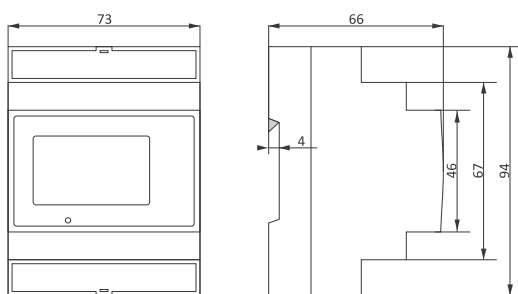
LE-03MP



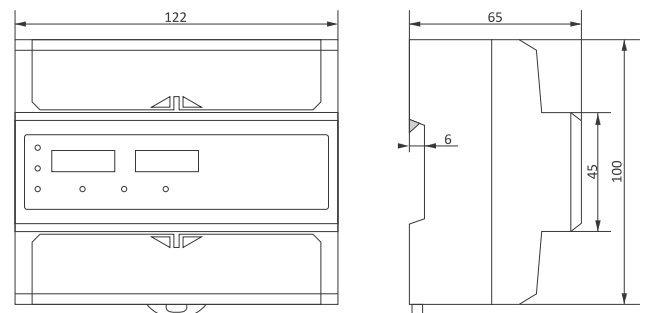
LE-01MB/LE-01MQ



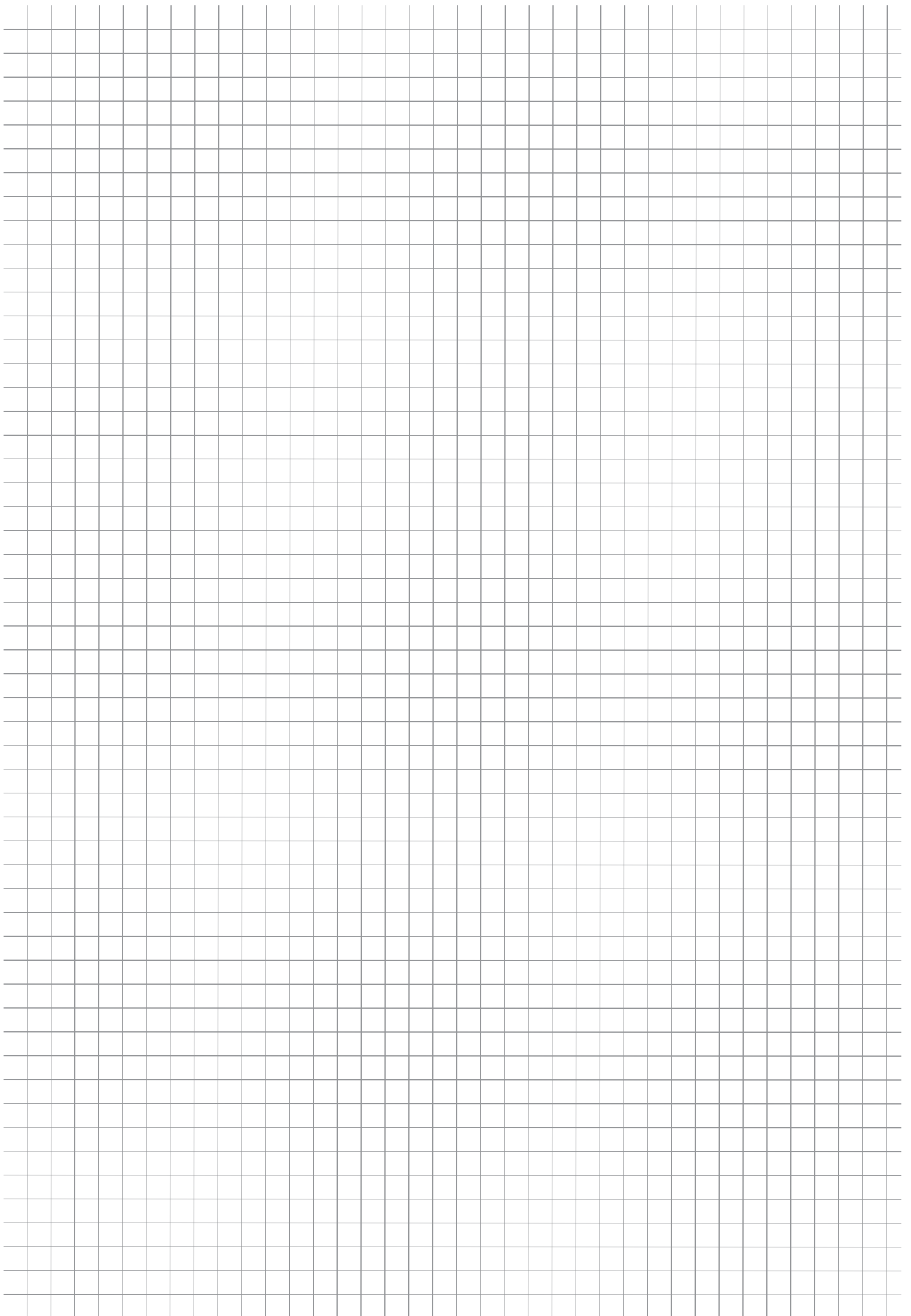
LE-03MB/LE-03MQ



LE-03MB CT/LE-03MQ CT



LE-04d



«F&F»